

3M™ Active Optical Pluggable Transceiver for QSFP+ Applications

Using industry leading VCSEL technology and an advanced new light-engine design, the 3M Active Optical Pluggable Transceiver provides exceptional cost/performance value. The QSFP+ Pluggable Transceiver delivers 4 channels of bi-directional data at up to 10.5 Gbps per channel for a total aggregate bandwidth of over 40 Gbps while using a subtle 750mW of power per end.

Key Features

- Low power consumption
- IBTA certified
- Designed to SFF 8436 QSFP+
- Supports 40GBASE-SR4 and nPPI specifications per IEEE 802.3ba-2010 D3.2
- 4 Channel x 10.3125 Gbps with 64B/66B
- Reliable 850nm VCSEL
- Serial I2C interface for user diagnostics
- Optical lengths up to 100m using OM3
- Hot pluggable
- Industry standard MTP/MPO optical interface
- 3M Active Optical 2-year warranty

Regulatory

- FDA CDRH - Laser Class 1M per IEC 60825-1
- FCC part 15, class B and CE emissions & immunity
- RoHS compliant
- ESD:
 - HBM 2000V (JESD22-A114-B)
 - Air Discharge 15kV (EN610004-2)
 - Contact Discharge 8kV(EN610004-2)

Applications

- High-Performance Computing Clusters
- Data Center Networks
- IB & GbE Switches
- High-Speed Servers
- Storage
- Routers, Hubs, Load Balancer



3M™ Active Optical Pluggable Transceiver for QSFP+ Applications

Product Specifications

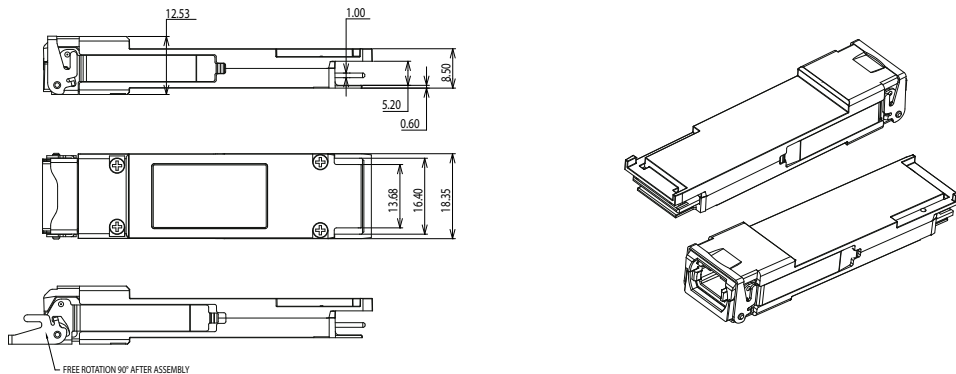
Module Form Factor	QSFP+
Protocols Supported	InfiniBand QDR,DDR, SDR & 40G Ethernet
Channels	4 channels, bi-directional
Channel Data Rate	Up to 10.5 Gbps/channel
Operating Optical Wavelength	850nm
BER	<10E-12
Operating Case Temperature	0 to +70° deg C
Storage Temperature	-20 to +85° deg C
Supply Voltage	3.3V
Electrical Interface	38-pin edge connector
Power Consumption	1.5W max
Management Interface	Serial, I2C
Optical Interface	8 or 12F - MTP/MPO

Ordering Information

QSFP+ Pluggable Transceiver parts are available on customer drawing 78-5100-2570-9.

Please reference this drawing for additional details and availability.

Part Number: 6B2A-0412A-0



Unless otherwise noted, references to industry specifications are intended to indicate substantial compliance to the material elements of the specification. Such references should not be construed as a guarantee of compliance to all requirements in a given specification.

Important Notice

All statements, technical information, and recommendations related to 3M's products are based on information believed to be reliable, but the accuracy or completeness is not guaranteed. Before using this product, you must evaluate it and determine if it is suitable for your intended application. You assume all risks and liability associated with such use. Any statements related to the product which are not contained in 3M's current publications, or any contrary statements contained on your purchase order shall have no force or effect unless expressly agreed upon, in writing, by an authorized officer of 3M.

Warranty; Limited Remedy; Limited Liability.

This product will be free from defects in material and manufacture for a period of two years from the time of purchase. **3M MAKES NO OTHER WARRANTIES INCLUDING, BUT NOT LIMITED TO, ANY IMPLIED WARRANTY OF MERCHANTABILITY OR FITNESS FOR A PARTICULAR PURPOSE.** If this product is defective within the warranty period stated above, your exclusive remedy shall be, at 3M's option, to replace or repair the 3M product or refund the purchase price of the 3M product. Except where prohibited by law, 3M will not be liable for any indirect, special, incidental or consequential loss or damage arising from this 3M product, regardless of the legal theory asserted.



Electronic Solutions Division Interconnect Products

6801 River Place Blvd.
Austin, TX 78726-9000
1-800-225-5373
www.3Mconnectors.com

3M is a trademark of 3M Company.

Please recycle. Printed in USA
© 3M 2013. All rights reserved.
80-4000-7032-4

"RoHS 2011/65/EU" means that the product or part does not contain any of the substances in excess of the maximum concentration values ("MCVs") in EU RoHS Directive 2011/65/EU. The MCVs are by weight in homogeneous materials. This information represents 3M's knowledge and belief, which may be based in whole or in part on information provided by third party suppliers to 3M.

In the event any product is proven not to conform with 3M's Regulatory Information Appendix, then 3M's entire liability and Buyer's exclusive remedy will be in accordance with the Warranty stated below.